



EH1 - High Frequency SINGLE-PHASE 60Hz POWER SUPPLY [Input 1x120/208/240 Vac Autodetect]

GNB Model No.	Output			Line AC Vac	Phase Current Pmax (AutoLim)	7 to MAX 8HRS charging time (100%Cn) Battery Capacity range (Ah)	HOUSING DIMENSIONS				INSTALL. W – Wall S – Shelf F – Floor	Weight Lb (kg.)	POWER		MAX EFFICIENCY (%)	POWER FACTOR (%)	CURRENT RIPPLE OUTOUT (%)	Output cable section mmq /AWG
	VV	A (@240Vac)	A (@120Vac)				L	W	H	type			Pout (max)	Pin (app)				
	A						In (mm.)	In (mm.)	In (mm.)				kW	kVA				
EHIMV48S070	24	70	35	85/-/265	10.1	300-450	7 (185)	8 (215)	25 (633)	KF1	W	42 (19)	2.0	2.2	92	99	2	25mmq / 4AWG
	36	70	30		15.0	300-450							3.0	3.3	92	99	2	
	48	50	25		14.5	220-315							2.9	3.2	92	99	2	
	24	140	70		20.3	450-925							4.0	4.4	92	99	2	
EHIMV48S140	36	140	60	85/-/265	30.0	450-925	15 (370)	15 (375)	27 (695)	KF3X2	W	71 (32)	5.9	6.5	92	99	2	50mmq / 1AWG
	48	100	50		29.0	450-700							5.8	6.3	92	99	2	
	72	70	35		29.9	300-450							6.0	6.5	92	99	2	
	80	60	30		29.0	300-420							5.8	6.3	92	99	2	

EH1 – High Frequency THREE-PHASE 60Hz POWER SUPPLY 3x208/240Vac

GNB Model No.	Output			Line AC Vac	Phase Current Pmax (@240Vac) A	Phase Current Pmax (@208Vac) A	7 to MAX 8HRS charging time (100%Cn) Battery Capacity range (Ah)	HOUSING DIMENSIONS				INSTALL. W – Wall S – Shelf F – Floor	Weight Lb (kg.)	POWER		MAX EFFICIENCY (%)	POWER FACTOR (%)	CURRENT RIPPLE OUTOUT (%)	Output cable section mmq /AWG
	V	A (@240Vac)	A (@208Vac)					L	W	H	type			Pout (max)	Pin (app)				
	A							In (mm.)	In (mm.)	In (mm.)				kW	kVA				
EHIMV48L100	24	100	100	208/240	8.7	10.1	525-700	15 (370)	15 (375)	27 (695)	KF3X2	W	66 (30)	2.9	3.3	92	95	2	35mmq / 2AWG
	36	100	100		13.1	15.1							4.3	4.9	92	95	2		
	48	100	Max95		17.5	20.1							5.8	6.6	92	95	2		
	24	140	140		12.2	14.1							4.0	4.6	92	95	2		
EHIMV48L140	36	140	Max130	208/240	18.3	21.2	700-925	15 (370)	15 (375)	27 (695)	KF3X2	W	66 (30)	6.0	6.9	92	95	2	50mmq / 1AWG
	48	140	Max95		24.4	28.2							8.1	9.2	92	95	2		
	24	260	260		23.2	26.8							7.5	8.8	90	95	2		
	36	260	Max250		34.8	40.2							11.2	13.1	90	95	2		
EHIMV48L260	48	260	Max190	208/240	46.4	53.5	925-1650	15 (370)	15 (375)	27 (695)	KF3X2	W	115 (52)	15.0	17.5	90	95	2	95mmq / 4/0AWG
	24	260	260		115 (52)	11.2							13.1	90	95	2			

GNB Model No.	Output		Line AC	Phase Current Pmax (AutoLim)	7 to MAX 8HRS charging time (100%Cn) Battery Capacity range (Ah)	HOUSING DIMENSIONS				INSTALL. W – Wall S – Shelf F – Floor	Weight Lb (kg.)	POWER		MAX EFFICIENCY (%)	POWER FACTOR (%)	CURRENT RIPPLE		Output cable section mmq /AWG
						Pout (max)	Pin (app)	EFFICIENCY (%)	FACTOR (%)			RIPPLE OUTOUT (%)						
	V	A (@240Vac)	A (@120Vac)	Vac	A	Ah	L In (mm.)			W In (mm.)	H In (mm.)		type	kW	kVA	(%)	(%)	(%)

EHI – High Frequency POWER SUPPLY THREE-PHASE 60Hz 3x208/240/480 and Only 3x480

GNB Model No.	Output		Line AC	Phase Current Pmax (480Vac)	Phase Current Pmax (240Vac)	Phase Current Pmax (208Vac)	7 to MAX 8HRS charging time (100%Cn) Battery Capacity range (Ah)	HOUSING DIMENSIONS				INSTALL. W – Wall S – Shelf F – Floor	Weight Lb (kg.)	POWER		MAX EFFICIENCY (%)	POWER FACTOR (%)	CURRENT RIPPLE		Output cable section mmq /AWG												
								Pout (max)	Pin (app)	EFFICIENCY (%)	FACTOR (%)			RIPPLE OUTOUT (%)																		
	V	A	A	Vac	A	A	Ah	L In (mm.)	W In (mm.)			H In (mm.)	type		kW	kVA	(%)	(%)	(%)													
EHIMV48H100	24	100	Only 480	4.4			525-700	13(320)	9 (230)	26 (655)	KF3	W	60 (27)	2.9	3.3	92	95	2	35mmq / 2AWG													
	36			4.3										4.9	92					95	2											
	48			5.8										6.6	92					95	2											
EHIMV48H140	24	140	Only 480	6.1			700-925	13(320)	9 (230)	26 (655)	KF3	W	60 (27)	4.0	4.6	92	95	2	50mmq / 1AWG													
	36			6.0										6.9	92					95	2											
	48			8.1										9.2	92					95	2											
EHIMV48H260	24	260	Only 480	11.6			925-1650	13(320)	9 (230)	26 (655)	KF3X2	W	115 (52)	7.5	8.8	90	95	2	95mmq / 4/0AWG													
	36			11.2										13.1	90					95	2											
	48			15.0										17.5	90					95	2											
EHIMV80M120	24	120	208/240/480	5.3	10.6	12.2	525-750	20(500)	17 (440)	35 (900)	RTC	F	265 (120)	3.5	4.0	90	96	2	35mmq / 2AWG													
	36			7.9	15.9	18.3								5.2	6.0					90	96	2										
	48			10.6	21.2	24.5								6.9	8.0					90	96	2										
EHIMV80M200	24	200	208/240/480	9.3	18.5	21.4	750-1150	20(500)	17 (440)	35 (900)	RTC	F	313 (142)	6.0	7.0	90	96	2	70mmq / 2/0AWG													
	36			10.3	20.6	23.8								6.7	7.8					90	96	2										
	48			8.8	17.7	20.4								5.8	6.7					90	96	2										
EHIMV80M250	24	250	208/240/480	13.2	26.5	30.6	450-700	20(500)	17 (440)	35 (900)	RTC	F	408 (185)	8.6	10.0	90	96	2	95mmq / 3/0AWG													
	36			17.7	35.3	40.8								11.5	13.3					90	96	2										
	48			13.2	26.5	30.6								8.6	10.0					90	96	2										
EHIMV80M320	24	320	Only 480	14.7	29.4	34.0	1500-2000	26 (660)	26 (660)	23 (575)	CUBE	F	507 (230)	9.6	11.1	90	96	2	95mmq / 3/0AWG													
	36			11.0	22.1	25.5								7.2	8.3					90	96	2										
	48			16.6	33.1	38.2								10.8	12.5					90	96	2										
EHIMV80H320	24	180	Only 480	22.1	44.2	50.9	925-1200	26 (660)	26 (660)	23 (575)	CUBE	F	507 (230)	14.4	16.7	90	96	2	95mmq / 3/0AWG													
	36			18.5	37.1	42.8								12.1	14.0					90	96	2										
	48			20.6	41.2	47.6								13.4	15.6					90	96	2										
EHIMV80H320	24	180	Only 480	14.1			925-1200	26 (660)	26 (660)	23 (575)	CUBE	F	507 (230)	9.2	10.7	90	96	2	95mmq / 3/0AWG													
	36			21.2																												
	48			28.3																												
72	23.8	18.4	21.3	90	96	2																										
80	18.0	15.6	18.0	90	96	2																										
80	18.0	17.3	20.0	90	96	2																										

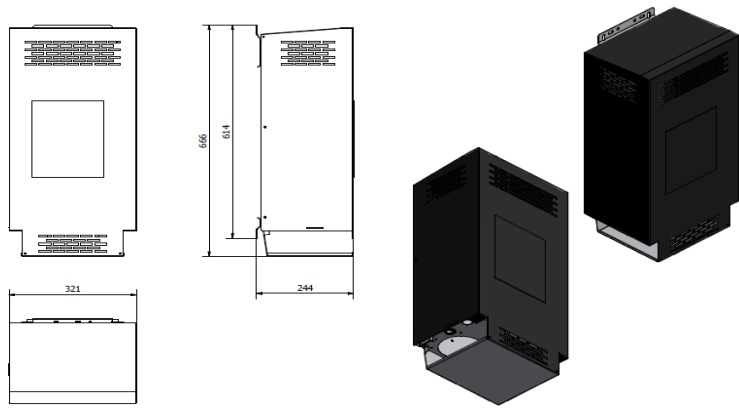
EHI – High Frequency POWER SUPPLY THREE-PHASE 60Hz 3x480/600

GNB Model No.	Output		Line AC	Phase Current Pmax (600Vac)	Phase Current Pmax (480Vac)	7 to MAX 8HRS charging time (100%Cn) Battery Capacity range (Ah)	HOUSING DIMENSIONS				INSTALL. W – Wall S – Shelf F – Floor	Weight Lb (kg.)	POWER		MAX EFFICIENCY (%)	POWER FACTOR (%)	CURRENT RIPPLE		Output cable section mmq /AWG		
							Pout (max)	Pin (app)	EFFICIENCY (%)	FACTOR (%)			RIPPLE OUTOUT (%)								
	V	A	A	Vac	A	Ah	L In (mm.)	W In (mm.)			H In (mm.)	type		kW	kVA	(%)	(%)	(%)			
EHIMV80C120	24	120	480/600	4.3	5.4	525-750	20(500)	17 (440)	35 (900)	RTC	F	276 (125)	3.5	4.1	88	96	2	35mmq / 2AWG			
	36			6.5	8.1								5.2	6.1					88	96	2
	48			8.7	10.8								6.9	8.2					88	96	2
EHIMV80C200	24	200	480/600	7.2	9.0	750-1150	20(500)	17 (440)	35 (900)	RTC	F	341 (150)	6.0	7.2	88	96	2	70mmq / 2/0AWG			
	36			8.4	10.5								6.7	8.0					88	96	2
	48			10.8	13.5								5.8	6.8					88	96	2
EHIMV80C250	24	250	480/600	14.5	18.1	450-700	20(500)	17 (440)	35 (900)	RTC	F	430 (195)	8.6	10.2	88	96	2	95mmq / 3/0AWG			
	36			10.8	13.5								11.5	13.6					88	96	2
	48			14.5	18.1								8.6	10.2					88	96	2
EHIMV80C320	24	320	480/600	12.0	15.1	1500-2000	26 (660)	26 (660)	23 (575)	CUBE	F	529 (240)	9.6	11.4	88	96	2	95mmq / 3/0AWG			
	36			9.0	11.3								7.2	8.5					88	96	2
	48			13.5	16.9								10.8	12.8					88	96	2
EHIMV80C320	24	180	480/600	18.1	22.6	925-1200	26 (660)	26 (660)	23 (575)	CUBE	F	529 (240)	14.4	17.0	88	96	2	95mmq / 3/0AWG			
	36			15.2	19.0								12.1	14.3					88	96	2
	48			16.9	21.1								13.4	15.9					88	96	2
EHIMV80C320	24	180	480/600	11.6	14.5	925-1200	26 (660)	26 (660)	23 (575)	CUBE	F	529 (240)	9.2	10.9	88	96	2	95mmq / 3/0AWG			
	36			17.3	21.7								13.8	16.4					88	96	2
	48			23.1	28.9								18.4	21.8					88	96	2
72	19.5	24.4	15.6	18.4	88	96	2														
80	21.7	27.1	17.3	20.5	88	96	2														

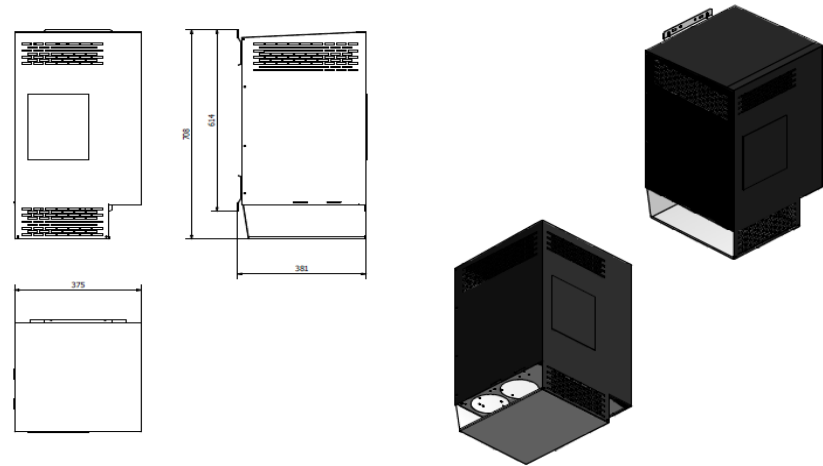
EHI RailR Pri – High Frequency POWER SUPPLY THREE-PHASE 60Hz 3x208/240/480 – Output cable 50feet

GNB Model No.	Output		Line AC	Phase Current Pmax (480Vac)	Phase Current Pmax (240Vac)	Phase Current Pmax (208Vac)	7 to MAX 8HRS charging time (100%Cn) Battery Capacity range (Ah)	HOUSING DIMENSIONS				INSTALL. W – Wall S – Shelf F – Floor	Weight Lb (kg.)	POWER		MAX EFFICIENCY (%)	POWER FACTOR (%)	CURRENT RIPPLE		Output cable section mmq /AWG
								Pout (max)	Pin (app)	EFFICIENCY (%)	FACTOR (%)			RIPPLE OUTOUT (%)						
	V	A	A	Vac	A	A	Ah	L In (mm.)	W In (mm.)			H In (mm.)	type		kW	kVA	(%)	(%)	(%)	
EHIMV64M120	32	120	208/240/480	7.1	14.2	16.3	525-750	20(500)	17 (440)	35 (900)	RTC	F	265 (120)	4.6	5.3	90	96	2	120mmq / 4/0AWG	
	64			9.4	18.8	21.7	350-500							6.1	7.1					90
EHIMV64M200	32	200	208/240/480	11.8	23.6	27.2	750-1150	20(500)	17 (440)	35 (900)	RTC	F	313 (142)	7.7	8.9	90	96	2	120mmq / 4/0AWG	
	64			14.7	29.4	34.0	525-800							9.6	11.1					90

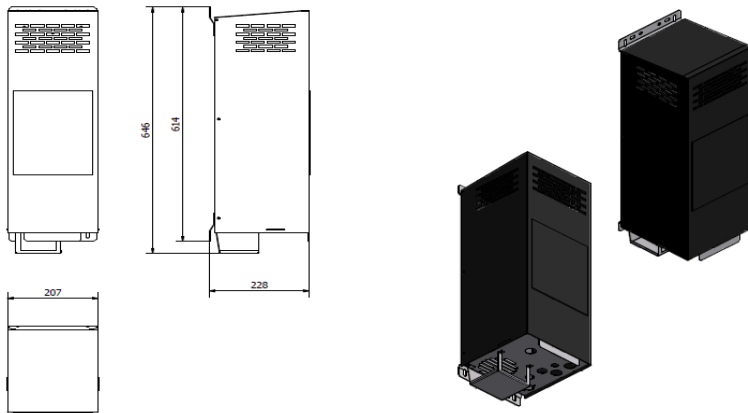
EHI Charger Cabinet Sizes
KF3 cabinet



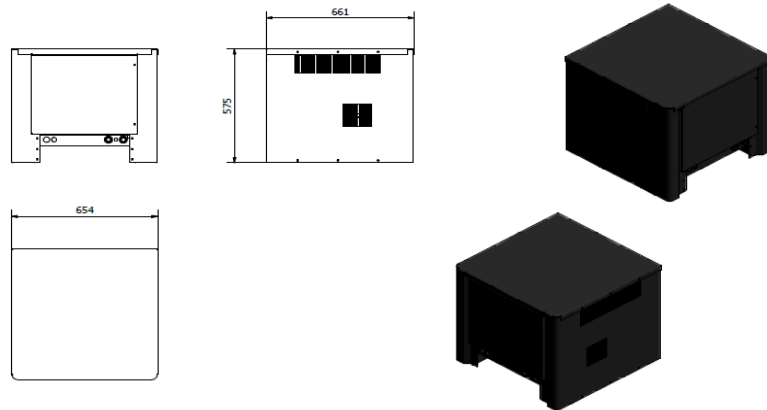
KF3x2 Cabinet



KF1 Cabinet



Cube Cabinet



RTC Cabinet

